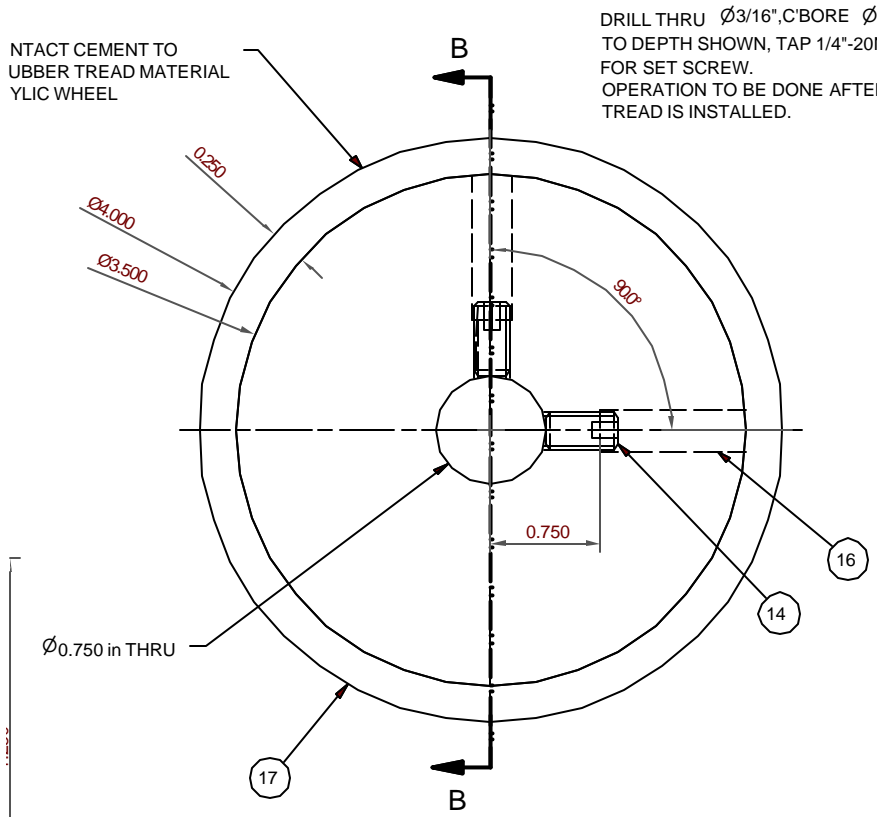
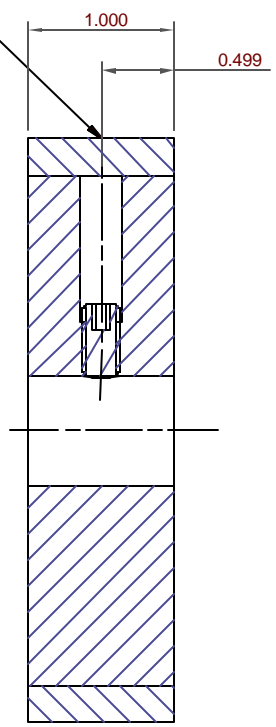


CONTACT CEMENT TO
RUBBER TREAD MATERIAL
ON LYC WHEEL



DRILL THRU $\varnothing 3/16"$, C'BORE $\varnothing 9/32"$
TO DEPTH SHOWN, TAP $1/4"-20NC$
FOR SET SCREW.
OPERATION TO BE DONE AFTER
TREAD IS INSTALLED.



DETAIL CUSTOM WHEEL

SECTION B-B
SCALE 1 : 1